

10/100BASE-T SINGLE TRANSFORMER MODULES

- ◆ Compliant with IEEE802.3 and ANSI X3.263 standards
Including 350uH OCL with 8mA Bias.
- ◆ Single Channel Interface For 10/100 Mbps Ethernet Applications
- ◆ Comply With ROHS



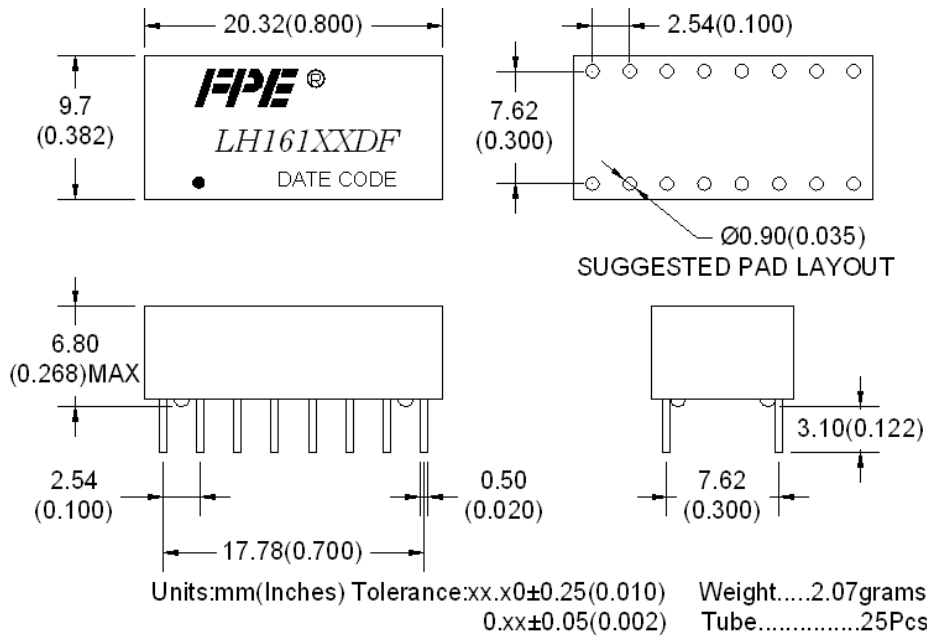
ELECTRICAL SPECIFICATIONS@25°C (Operating Temperature :0°C to 70°C)

Part Number	Turns Ratio ± 5%	Insertion Loss(dB max)	Return Loss (dB min)			CMRR (dB min)			Cross Talk (dB min)			Hipot (vrms)
		1-100MHz	1-30 MHz	30-60 MHz	60-80 MHz	1-30 MHz	30-60 MHz	60-100 MHz	1-30 MHz	30-60 MHz	60-100 MHz	
LH16101DF	1:1	-1.0	-18	-14	-12	-40	-35	-30	-45	-35	-30	1500
LH16104DF	1:1	-1.0	-18	-14	-12	-40	-35	-30	-45	-35	-30	1500
LH16105DF	1:1	-1.0	-18	-14	-12	-40	-35	-30	-45	-35	-30	1500
LH16125DF	1:1	-1.0	-18	-14	-12	-40	-35	-30	-45	-35	-30	1500
LH16126DF	1:1	-1.0	-18	-14	-12	-40	-35	-30	-45	-35	-30	1500
LH16127DF	1:1	-1.0	-18	-14	-12	-40	-35	-30	-45	-35	-30	1500
LH16128DF	1:1	-1.0	-18	-14	-12	-40	-35	-30	-45	-35	-30	1500
LH16129DF	1:1	-1.0	-18	-14	-12	-40	-35	-30	-45	-35	-30	1500
LH16130DF	1:1	-1.0	-18	-14	-12	-40	-35	-30	-45	-35	-30	1500
LH16131DF	1:1	-1.0	-18	-14	-12	-40	-35	-30	-45	-35	-30	1500

10/100BASE-T SINGLE TRANSFORMER MODULES

MECHANICAL

LX161XXDF

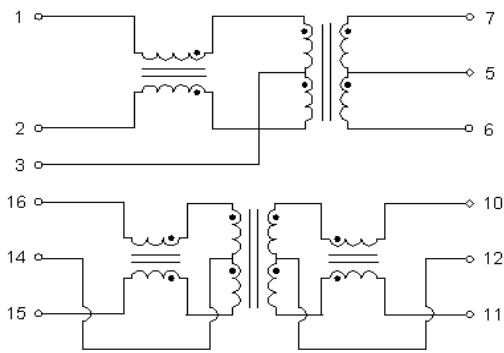


- | | | |
|--------------------------------|---|---------------------------------|
| LH16101DF:PIN4&13 OMITTED | , | LH16104DF:PIN4&13&8&9 OMITTED |
| LH16105DF:PIN4&13&8&9 OMITTED | , | LH16125DF:PIN4&13&8&9 OMITTED |
| LH16126DF:PIN4&13&8&9 OMITTED | , | LH16127DF: PIN4&13&8&9 OMITTED |
| LH16128DF:PIN4&13&8&9 OMITTED | , | LH16129 DF: PIN4&13&8&9 OMITTED |
| LH16131DF: PIN4&13&8&9 OMITTED | | |

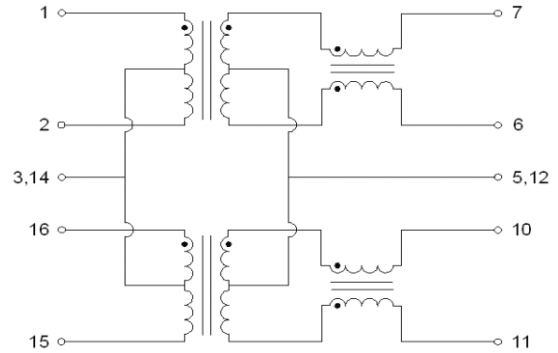
10/100BASE-T SINGLE TRANSFORMER MODULES

SCHEMATICS

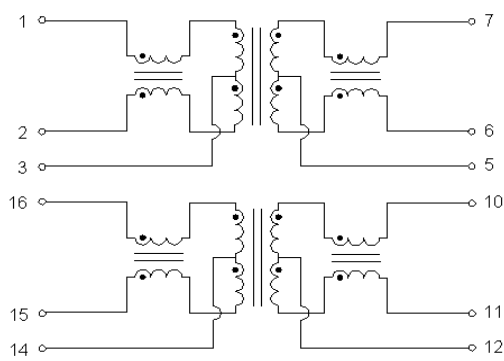
LH16101DF



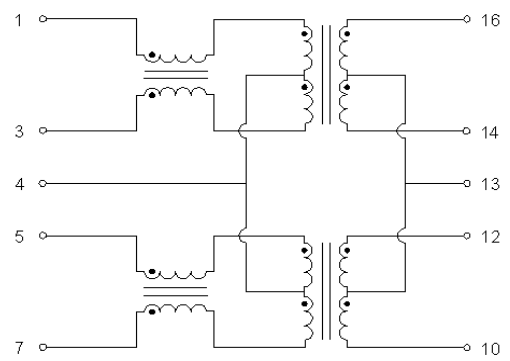
LH16104DF



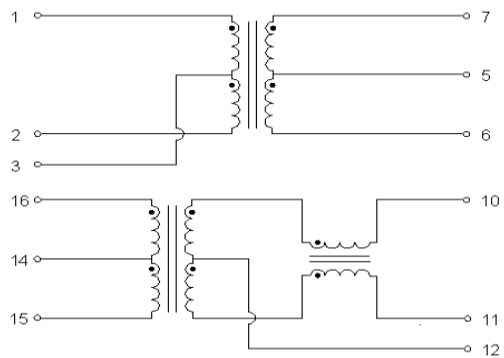
LH16105DF



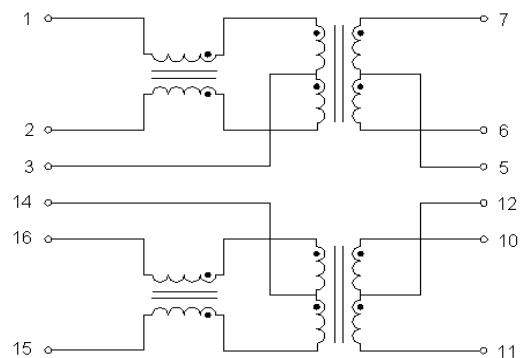
LH16125DF&LH16130DF



LH16126DF



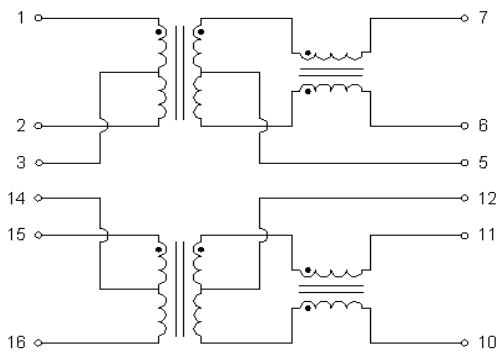
LH16127DF



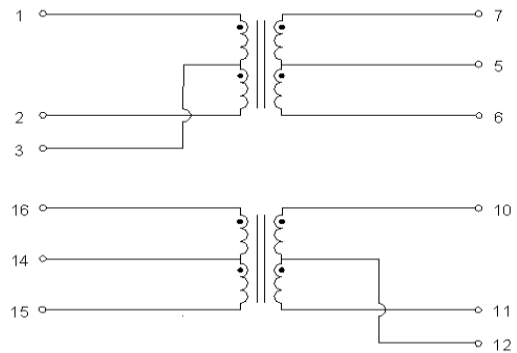
10/100BASE-T SINGLE TRANSFORMER MODULES

SCHEMATICS(Continued)

LH16128DF



LH16129DF



LH16131DF

